



SPEED QUEEN® MULTI-HOUSING LAUNDRY SOLUTIONS

Stack Washer/Dryer

Quantum® Gold Pro

Prep for Card | Coin Drop Installed

Built for Reliable Performance

Speed Queen's stack washer/dryer brings an innovative stacked concept that takes up half the floor space that a conventional washer and dryer does when situated side by side. The freestanding softmount design can be installed on all floor types or levels. Both washer and dryer have the same hookups and connections as a standard washer and dryer. No additional plumbing or electrical change is needed. Speed Queen's stack washer/dryer combines heavy-duty construction with reliable operation proven to stand the test of time. They're designed with less moving parts for one reason: so you'll face fewer maintenance problems and less wear and tear down the road. Front load products have met every design standard to be 100% ADA compliant.

- Integrated meter case
 - Large capacity meter case standard
 - Wash Alert™ capability
- Washer (ADA Compliant)
- Rugged suspension system
 - Industry leading 1200 RPM spin speed exerts 440 G-force extraction
 - Durable stainless steel washtub
 - Four-compartment soap dispenser
 - Extra-wide 15.5" door opening and 180° door swing
- Dryer
- Upfront lint filter easy to clean and secured
 - Industry's largest door opening 2.06 sq. ft. (1914 cm2)
 - Quiet, efficient blower system



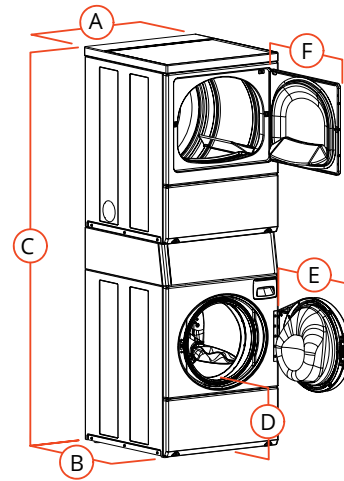
Quantum® Gold Pro Control

The Quantum® Gold Pro control delivers a truly premium experience to residents. From intuitive soft touch buttons that walk them through cycle options to multiple actuations (coin, card, mobile) for payment flexibility, this control gives residents the wash and dry options they want, and the revenue potential managers desire.

Stack Washer/Dryer

Quantum® Gold Pro

Specifications	
Control Option	Quantum Gold Pro
Color	White
Capacity - lb (kg)	Washer 21.5 (9.5) Dryer 18 (8.2)
Overall Width - in (mm)	26.875 (683)
Overall Depth - in (mm)	27.73 (704)
Overall Height - in (mm)	78.17 (1986)
Cylinder Volume cu. ft. (liters)	Washer 3.42 (96.8) Dryer 7.0 (198)
Motor Size - HP (kW)	0.9 (0.67)
Type Of Gas (Gas Models Only)	Factory Equipped Natural
Water Consumption Per Cycle - g (liter)**	13.68 (51.78)
IWF (Water Factor) - gal/ft ³ (liters/liter/cycle)**	4.0 (0.53)
MEF ₂ (Modified Energy Factor) ft ³ /kWh/cycle (liters/kWh/cycle)**	2.20 (62.3)
Available Water Temperatures	Cold, Warm, Hot
Available Cycles	Washer Normal, Synthetic, Delicate Dryer High, Medium, Low, Delicate, No Heat
Air Outlet Diameter - in (mm)	4 (102)
Exhaust Airflow - cfm (liters/sec)	220 (105)
Electrical Requirements	Electric 120/208-240/60/1-30 amp Gas 120/60/1-15 amp
Heating Element	Electric 5350W, 240V 4750W, 208V Gas 25,000 Btu
Net Weight - lb (kg)	385 (175)
Shipping Weight - lb (kg)	417 (189)
Shipping Dimensions Approx. - in (mm)	Width 34 (864) Depth 30 (762) Height 80 (2032)
Agency Approvals	Electric cULus Gas cCSAus




A. Overall Width - in (mm)	26.875 (683)
B. Overall Depth - in (mm)	28 (711)
C. Overall Height - in (mm)	78.17 (1986)
D. Floor To Door Opening - in (mm)	14.6 (371)*
E. Door Swing - in (mm)	24 (610)


* For ADA compliance turn legs out from base 0.5 inches

Models	Voltage/Freq/PH	Drain	Actuation
STENCASP176TW01	208-240/60/1	Electric	Pump
STGNCASP116TW01	120/60/1	Gas	Pump
STENYASP176TW01	208-240/60/1	Electric	Pump
STGNYASP116TW01	120/60/1	Gas	Pump

Coin Drop Installed



Prep for Card



NOTE: Stack washer/dryer requires two power cords. One for washer, one for dryer.

Electric dryers come equipped for 208-240/60/1 operation. They can be field converted to operate on 208/60/1 with optional 61928 conversion kit.

Gas dryers can be field converted for operation on LP gas with optional 458P3 conversion kit.

** Average usage based on multiple load sizes and current DOE test protocol. Real usage will vary depending on load size, composition and cycle selectivity.

For the most accurate information, the installation guide should be used for all design and construction purposes. Due to continuous product improvements, design and specifications subject to change without notice. The quality management systems at Alliance Laundry Systems are registered to ISO 9001.

Commercial product is not authorized for sale to Residential end consumers.